

84
SOUTH CANDLER STREET (50' R/W)
S.R. 155

NOTE: PROPERTY OWNER AND THE CITY ENGINEER SHALL INSPECT THE SIDEWALK AND CURBS AND REPAIR ALONG THE ENTIRE PROPERTY FRONTAGE.

NOTE: ALL DRIVEWAY APRONS SHALL BE CONSTRUCTED IN COMPLIANCE WITH CITY OF DECATUR STANDARDS. SEE DETAIL SHEET C111. THE SIDEWALK TO BE CONSTRUCTED MUST COMPLY WITH THE CITY CROSS-SLOPE STANDARD FOR ELEVATION ABOVE PAVEMENT GRADE TO ENSURE THE APRON CAN BE CONSTRUCTED PROPERLY. YOU MAY WISH TO CONSIDER INSTALLING THE APRONS WITH THE SITE IMPROVEMENTS TO ELIMINATE THIS SITUATION.

2. OVERLOOK BLUFF SHALL HAVE FIRE LANE SIGNS POSTED ON BOTH SIDES OF THE STREET.

3. HOUSES ON LOTS 1-4 WILL FACE SOUTH CANDLER STREET.

APPROXIMATE LAND LOT LINE

LL 214
LL 215

25' STATE BUFFER (FROM WRESTED VEGETATION)

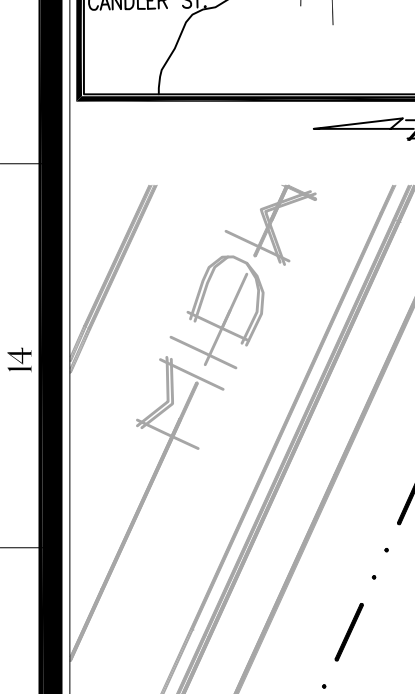
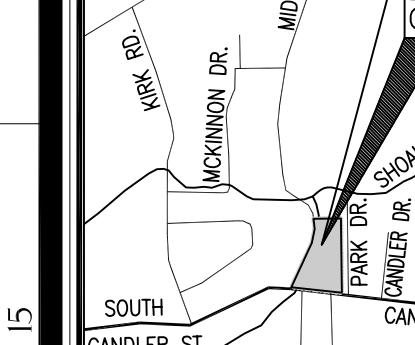
50' UNDISTURBED BUFFER

75' IMPERVIOUS SETBACK

30' REAR SETBACK

10' SIDE SETBACK

LOT	TOTAL LOT AREA	MAX PERMISSIBLE SURFACES
1	4,907	9,825
2	4,068	9,621
3	4,046	9,619
4	4,858	9,445
5	10,000	4,000
6	10,000	4,000
7	10,000	4,000
8	10,000	4,000
9	10,000	4,000
10	10,000	4,000



SHOAL CREEK WEST TRIBUTARY

TOTAL AREA: 8.160 ACRES

APPROXIMATE 100 YEAR-FLOOR PLAN PER FIRM PANEL NO. 13089 00068H DATED MAY 7, 2001 AND FIELD RUN TOPOGRAPHY (ELEV. 940.00)

12' PRIVATE DRIVE (12' ACCESS BASEMENT)

10' SIDE SETBACK

30' REAR SETBACK

10' SIDE SETBACK

30' REAR SETBACK

4. 25' SIDE SETBACK

10' SIDE SETBACK

30' REAR SETBACK

10' SIDE SETBACK

30' REAR SETBACK

10' SIDE SETBACK

30' REAR SETBACK

10' SIDE SETBACK

30' REAR SETBACK

10' SIDE SETBACK

30' REAR SETBACK

10' SIDE SETBACK

30' REAR SETBACK

10' SIDE SETBACK

30' REAR SETBACK

10' SIDE SETBACK

30' REAR SETBACK

10' SIDE SETBACK

30' REAR SETBACK

10' SIDE SETBACK

30' REAR SETBACK

10' SIDE SETBACK

30' REAR SETBACK

10' SIDE SETBACK

30' REAR SETBACK

10' SIDE SETBACK

30' REAR SETBACK

10' SIDE SETBACK

30' REAR SETBACK

10' SIDE SETBACK

30' REAR SETBACK

10' SIDE SETBACK

30' REAR SETBACK

10' SIDE SETBACK

30' REAR SETBACK

10' SIDE SETBACK

30' REAR SETBACK

10' SIDE SETBACK

30' REAR SETBACK

10' SIDE SETBACK

30' REAR SETBACK

10' SIDE SETBACK

30' REAR SETBACK

10' SIDE SETBACK

30' REAR SETBACK

10' SIDE SETBACK

30' REAR SETBACK

10' SIDE SETBACK

30' REAR SETBACK

10' SIDE SETBACK

30' REAR SETBACK

10' SIDE SETBACK

30' REAR SETBACK

10' SIDE SETBACK

30' REAR SETBACK

10' SIDE SETBACK

30' REAR SETBACK

10' SIDE SETBACK

30' REAR SETBACK

10' SIDE SETBACK

30' REAR SETBACK

10' SIDE SETBACK

30' REAR SETBACK

10' SIDE SETBACK

30' REAR SETBACK

10' SIDE SETBACK

30' REAR SETBACK

10' SIDE SETBACK

30' REAR SETBACK

10' SIDE SETBACK

30' REAR SETBACK

10' SIDE SETBACK

30' REAR SETBACK

10' SIDE SETBACK

30' REAR SETBACK

10' SIDE SETBACK

30' REAR SETBACK

10' SIDE SETBACK

30' REAR SETBACK

10' SIDE SETBACK

30' REAR SETBACK

10' SIDE SETBACK

30' REAR SETBACK

10' SIDE SETBACK

30' REAR SETBACK

10' SIDE SETBACK

30' REAR SETBACK

10' SIDE SETBACK

30' REAR SETBACK

10' SIDE SETBACK

30' REAR SETBACK

10' SIDE SETBACK

30' REAR SETBACK

10' SIDE SETBACK

30' REAR SETBACK

10' SIDE SETBACK

30' REAR SETBACK

10' SIDE SETBACK

30' REAR SETBACK

10' SIDE SETBACK

30' REAR SETBACK

10' SIDE SETBACK

30' REAR SETBACK

10' SIDE SETBACK

30' REAR SETBACK

10' SIDE SETBACK

30' REAR SETBACK

10' SIDE SETBACK

30' REAR SETBACK

10' SIDE SETBACK

30' REAR SETBACK

10' SIDE SETBACK

30' REAR SETBACK

10' SIDE SETBACK

30' REAR SETBACK

10' SIDE SETBACK

30' REAR SETBACK

10' SIDE SETBACK

30' REAR SETBACK

10' SIDE SETBACK

30' REAR SETBACK

10' SIDE SETBACK

30' REAR SETBACK

10' SIDE SETBACK

30' REAR SETBACK

10' SIDE SETBACK

30' REAR SETBACK

10' SIDE SETBACK

30' REAR SETBACK

10' SIDE SETBACK

30' REAR SETBACK

10' SIDE SETBACK

30' REAR SETBACK

10' SIDE SETBACK

30' REAR SETBACK

10' SIDE SETBACK

30' REAR SETBACK

10' SIDE SETBACK

30' REAR SETBACK

10' SIDE SETBACK

30' REAR SETBACK

10' SIDE SETBACK

30' REAR SETBACK

10' SIDE SETBACK

30' REAR SETBACK

10' SIDE SETBACK

30' REAR SETBACK

10' SIDE SETBACK

30' REAR SETBACK

10' SIDE SETBACK

30' REAR SETBACK

10' SIDE SETBACK

30' REAR SETBACK

10' SIDE SETBACK

30' REAR SETBACK

10' SIDE SETBACK

30' REAR SETBACK

10' SIDE SETBACK

30' REAR SETBACK

10' SIDE SETBACK

30' REAR SETBACK

10' SIDE SETBACK

30' REAR SETBACK

10' SIDE SETBACK

30' REAR SETBACK

10' SIDE SETBACK

30' REAR SETBACK

10' SIDE SETBACK

30' REAR SETBACK

10' SIDE SETBACK

30' REAR SETBACK

10' SIDE SETBACK

30' REAR SETBACK

10' SIDE SETBACK

30' REAR SETBACK

10' SIDE SETBACK

30' REAR SETBACK

10' SIDE SETBACK

30' REAR SETBACK

10' SIDE SETBACK

30' REAR SETBACK

10' SIDE SETBACK

30' REAR SETBACK

10' SIDE SETBACK

30' REAR SETBACK

10' SIDE SETBACK

30' REAR SETBACK

10' SIDE SETBACK

30' REAR SETBACK

10' SIDE SETBACK

30' REAR SETBACK

10' SIDE SETBACK

30' REAR SETBACK

10' SIDE SETBACK

30' REAR SETBACK

10' SIDE SETBACK

30' REAR SETBACK

10' SIDE SETBACK

30' REAR SETBACK

10' SIDE SETBACK

30' REAR SETBACK

10' SIDE SETBACK

30' REAR SETBACK

10' SIDE SETBACK

30' REAR SETBACK

10' SIDE SETBACK

30' REAR SETBACK

10' SIDE SETBACK

30' REAR SETBACK

10' SIDE SETBACK

30' REAR SETBACK

10' SIDE SETBACK

30' REAR SETBACK

10' SIDE SETBACK

30' REAR SETBACK

10' SIDE SETBACK

30' REAR SETBACK

10' SIDE SETBACK

30' REAR SETBACK

10' SIDE SETBACK

30' REAR SETBACK

10' SIDE SETBACK

30' REAR SETBACK

10' SIDE SETBACK

30' REAR SETBACK

10' SIDE SETBACK

30' REAR SETBACK

10' SIDE SETBACK

30' REAR SETBACK

10' SIDE SETBACK

30' REAR SETBACK

10' SIDE SETBACK

30' REAR SETBACK

10' SIDE SETBACK

30' REAR SETBACK

10' SIDE SETBACK

30' REAR SETBACK

10' SIDE SETBACK

30' REAR SETBACK

10' SIDE SETBACK

30' REAR SETBACK

10' SIDE SETBACK

30' REAR SETBACK

10' SIDE SETBACK

30' REAR SETBACK

10' SIDE SETBACK

30' REAR SETBACK

10' SIDE SETBACK

30' REAR SETBACK

10' SIDE SETBACK

30' REAR SETBACK

10' SIDE SETBACK